



## Alarm and Immobilizer System ZX300 ZX400 ZX500

\* VESA approved when fitted by a VESA member in accordance with the latest VESA specifications and issued with an authentic VESA certificate.



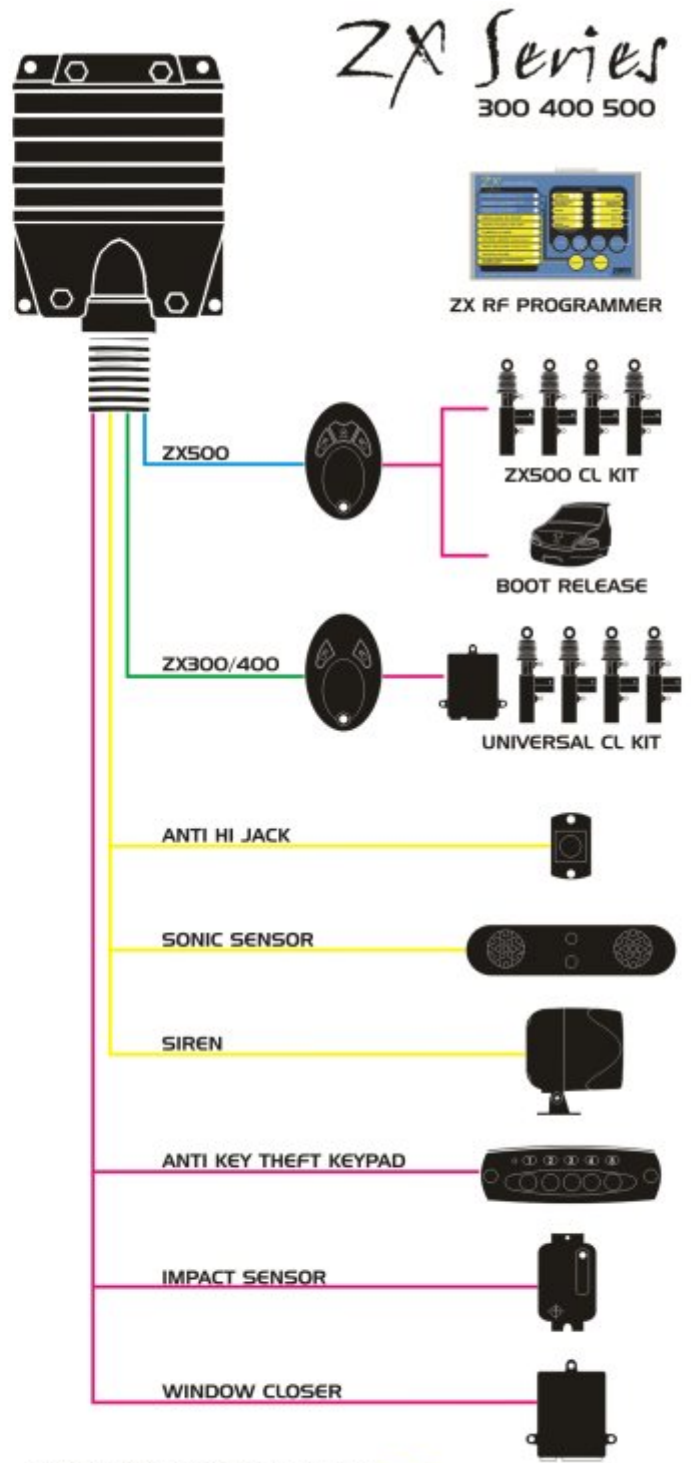
Specifications subject to change without notice.

**SANJI SECURITY SYSTEMS (PTY) LTD**  
 106 16TH ST MIDRAND  
 GAUTENG, SOUTH AFRICA  
 TEL +27 11 266 7500  
 FAX +27 11 266 7501  
 E Mail : sales@sanji.co.za  
 http://www.sanji.co.za



FEATURE	ZX300	ZX400	ZX500
Alarm	✓	✓	✓
Alarm Only Function	✓	✓	✓
Immobiliser	✓	✓	✓
2 Circuit Cut	✓	✓	✓
3 Circuit Cut	✓	✓	✓
Vesa / ABS Approval *	✓	✓	✓
Code Hopping Remote's	✓	✓	✓
Learn upto 6 remote's	✓	✓	✓
Pin Code Override	✓	✓	✓
Push Button Override	✓	✓	✓
Permanent Override	✓	✓	✓
Security Housing	✓	✓	✓
Central Locking Relays	✓	✓	✓
Neg Lock + Unlock	✓	✓	✓
Fail to Drive Circuitry	✓	✓	✓
Siren	✓	✓	✓
Protected Outputs	✓	✓	✓
Selective Unlock	✓	✓	✓
Interior Sensor	✓	✓	✓
Sensor Shutdown	✓	✓	✓
Remote Panic	✓	✓	✓
Fast Arm	✓	✓	✓
Door open warning chirps	✓	✓	✓
Trip Diagnostics	✓	✓	✓
Chirp Disable	✓	✓	✓
Hi Jack Chirp Disable	✓	✓	✓
Driver Door Hi Jack	✓	✓	✓
Hi-jack Service Mode	✓	✓	✓
Program Options	✓	✓	✓
Forced Hi Jack	✓	✓	✓
Lock On Start	✓	✓	✓
Unlock Ignition Off	✓	✓	✓
Vacuum Pulse	✓	✓	✓
Boot Release	✓	✓	✓
Tracking Output	✓	✓	✓
Optional Keypad	✓	✓	✓
ZX500 Central Locking Kit	✓	✓	✓

Some convenience options may require additional modules, we suggest you consult your Sanji-approved fitment centre for the best option for you.



STANDARD ZX300/400/500 — (Yellow line)  
 OPTIONAL ZX300/400/500 — (Purple line)

ZX Series  
300 400 500



# SANJI<sup>®</sup> INTELLICA



Pro Series  
 Alarm and Immobilizer System  
 ZX300 ZX400 ZX500



## WHY THE NEED FOR ZX?

As crime becomes more and more sophisticated, so must the ways of foiling it. Anyone who has invested heavily in a vehicle asset needs to protect that investment, of course, but to protect it far further than the range of choices which criminals have available to them. There is no point in being the weak link in the crime chain. Hence - the Sanji Intellica ZX Pro Series.



Arguably now the most advanced alarm / immobiliser in the world, the ZX Series is a culmination of years of research by Sanji engineers - utilising the very latest techniques available to date. The ZX Series is

manufactured to the highest International ISO9001 Quality Standards. Each unit has to pass its own series of stringent quality control tests in order to get the exemplary ZX stamp of approval. The ZX Series represents the extreme cutting edge in vehicle security design.



ZX300 / 400

The ZX Series may have an overwhelming degree of capabilities but

the best part about it is that the car owner finds it easy to understand while the criminal is baffled. The stylish, ergonomically designed remote control is a design masterpiece all of its own. Sanji have utilised super-hi tech materials to transform what used to be a dull black box-remote into this revolutionary combination



ZX500

of design aesthetics and crafted functionality

for the user. The remote is now the communication link between the driver and the ZX system's brain. The remote is so intelligent that it can and does scramble all communications, to make any duplication or interception impossible by even the most accomplished car thief.

## THE ADVANCED BRAIN

Intelligence is a matter of thinking and Sanji do this exceptionally well - thinking of the best car protection systems for each situation out-thinking criminals. In the area of hi-tech security you can always leave the thinking to Sanji.

Before you even get into your car, you are warned of any violation to your vehicle by a series of coded beeps on the siren. At any time you can go to your local Sanji-approved



fitment centre and have the memory read out and, with their help, take the appropriate action required.

The ZX Series is so intelligent that it will even shut down and warn you if its outputs are shorted or damaged. But then, isn't this what you would expect from an intelligent alarm / immobiliser?



## ANTI-HIJACK

Every day countless cars are hijacked. The ZX Series anti-hijack facility immobilises your vehicle if it is forcibly taken from you. The siren immediately sounds a warning and indicators flash, informing the hijacker that the car will immobilise after 90 seconds. The ZX Series offers driver-door or automatic passive arming hijack, both programmable to suit your own requirements, with advice from your fitment centre.



This system even gives you personal safety and protection outside your car. If you are attacked, your transmitter becomes a panic button. The ZX Series protects you by using its formidable electronic brain. If any doors, bonnet or boot aren't properly closed, it will alert you. Before you start, it will check and lock your doors automatically.

## THE NICKY SIREN

This little water-proof device is really tiny and so easy to conceal in the cramped engine compartments of today's vehicles. But it also makes a huge noise - to create enough attention to scare the attackers away. We know that dynamite comes in small packages but you have to hear the Nicky siren for yourself.



## COMFORT CONTROL

Wouldn't it be nice to be able to open your boot, close your windows, to unlock the driver's door, selectively and separately from the passenger doors, or to be able to program user features - all from your hand remote? You can - with the ZX Range. You can even program the system to remove the set and reset chirps - all from the hand control. These convenience options may require additional modules and we suggest you consult your Sanji-approved fitment centre for the best option for you.



## SECURE SENSING

Aren't we tired of hearing vehicle alarms blaring for no apparent reason? They are extremely irritating and they intensify our noise pollution but, far worse when the day comes that you need to be alerted, you probably wouldn't take an alarm like that seriously.



At Sanji we take this matter very seriously. So that's why we developed the super miniature ES250 ultrasonic sensor. The sensor works like an internal radar system, continuously sending and receiving information about your vehicle's interior. After careful analysis of the received data, the ES250 makes a decision to activate the alarm or reject the data in the case of common air disturbance. The ES250 sensor is so advanced that a patent on its electronic design has just been granted.

## PERSONAL USER PIN-CODE

Under normal circumstances, you would de-activate this system by activating the remote control. However, if the battery in the remote should ever go flat, you can enter your 5-digit pin-code via a sequence on the ignition switch, in order to override the system temporarily. This process will allow you to drive the vehicle and avoid a very embarrassing situation. Each ZX Series system is supplied with its unique pin-code credit card that displays your personal user pin code.



## ANTI-KEY THEFT

Now that general vehicle security systems have become so advanced and effective, car thieves are turning to easier ways of getting what they want. Key theft or key duplication is the latest international method used by car syndicates so that they get the vehicle intact without having to tamper with sophisticated electronics.

To render this latest trend in criminal activity useless, Sanji have developed an optional user-identification keypad that interfaces with the whole ZX Series of alarm and immobiliser systems. This means that even if someone has your keys, your vehicle cannot be driven unless your own unique pin code is entered into the keypad. To make this feature truly easy to use, Sanji have incorporated automatic backlighting of the keypad interface.

The design development of auto-alarms and immobilisers has always been the area where Sanji have led the way into the future. We have every intention and commitment to keeping it that way.

